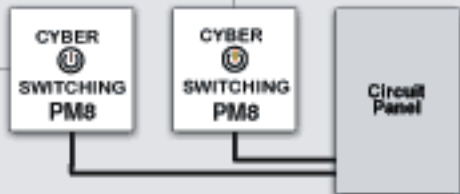


## High Density Monitoring

(Up to 16 Circuits)



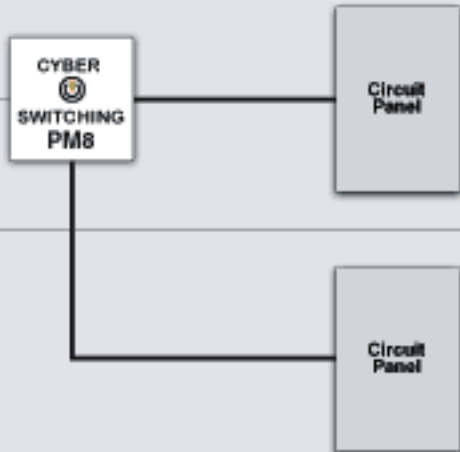
## Monitor Per Panel

(Up to 16 Circuits)



## Multi-Floor Panel Sharing

(Up to 16 Circuits)



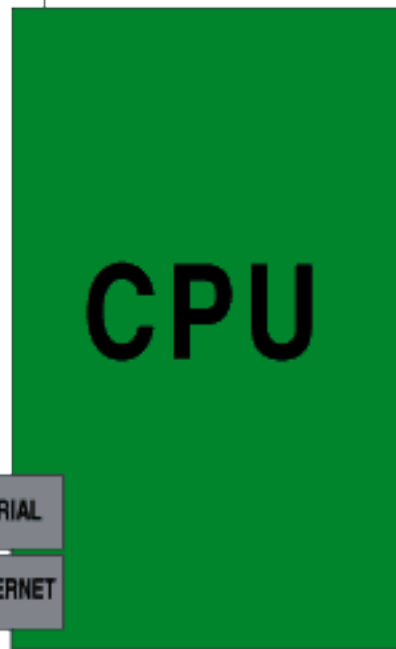
Browser on Workstation



Server Running Enterprise Management Console Software

AC/DC Transformer

CONTROL POWER



*PM8 Schematic*